

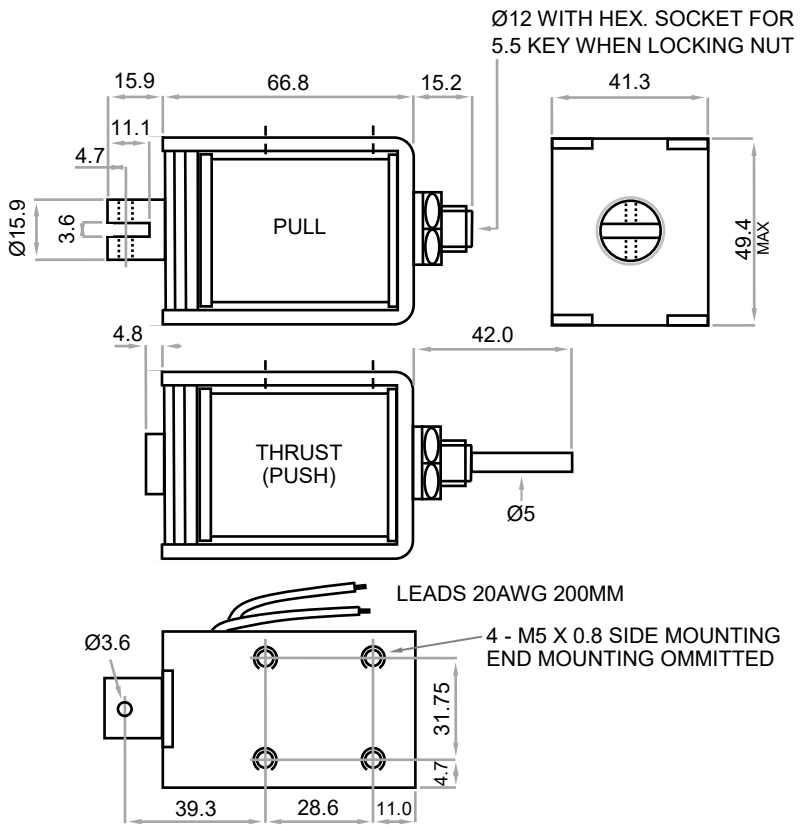
# BS5 DC LINEAR SOLENOID

**Availability**  
 DC Standard Stroke  
 PULL - THRUST - PULL & THRUST  
 DC Long Stroke

**Solenoid shown in energised position**

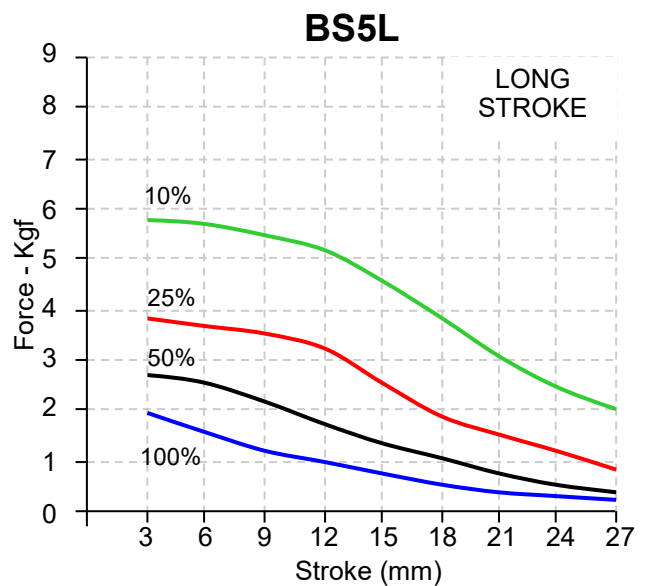
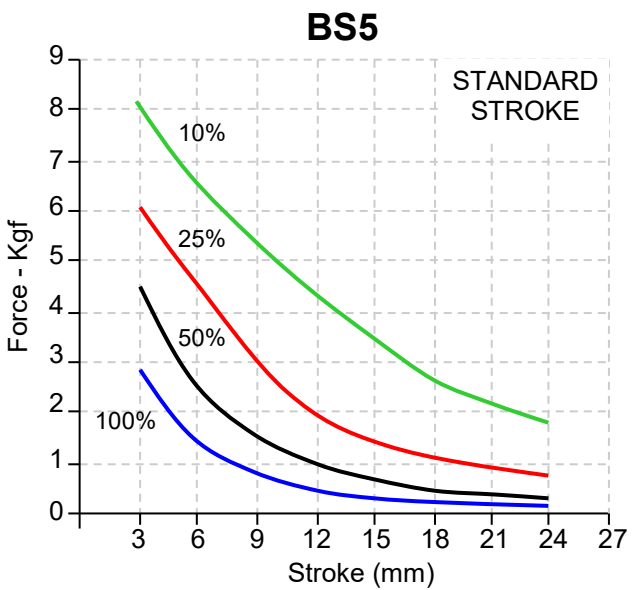
Weight complete 590g approx  
 Plunger weight 95g max

Forces shown are at working temperature



DIMENSIONS IN MM

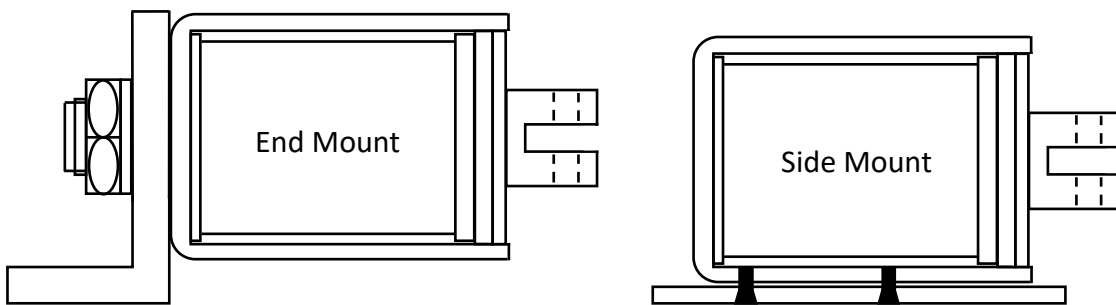
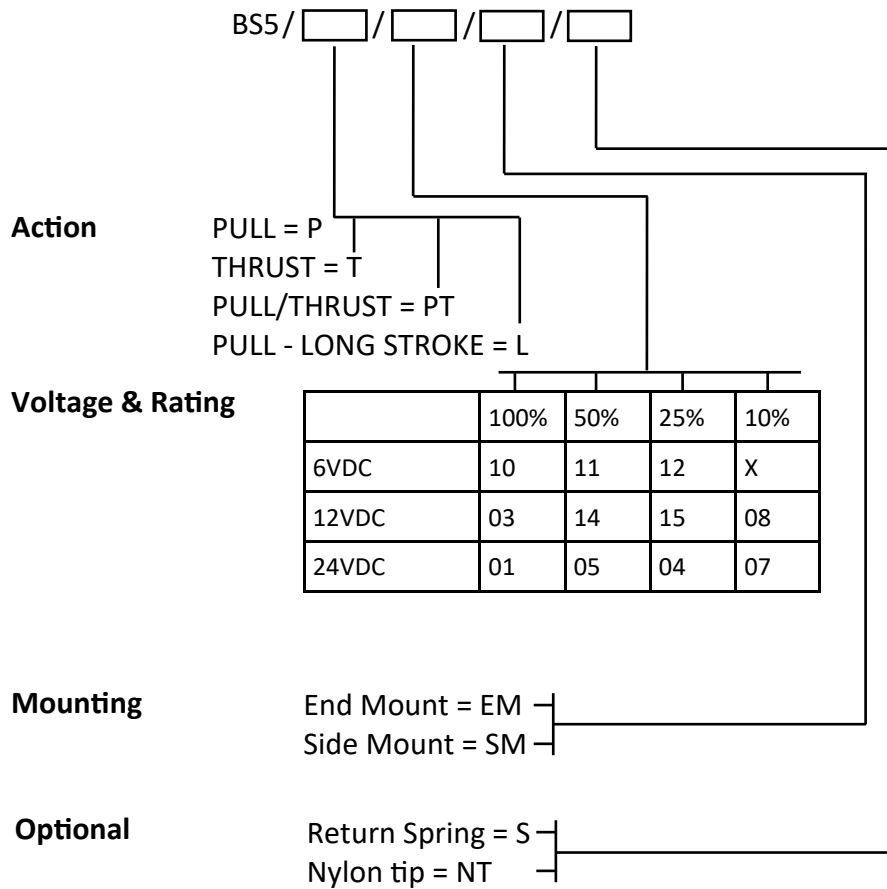
**DC Watts**  
 100% Rtg = 16W  
 50% Rtg = 32W  
 25% Rtg = 64W  
 10% Rtg = 160W



**\*\* Please note: Fixing, plunger coupling, thrust rods and lead length can all be customised \*\***  
 We reserve the right to alter or amend designs without prior notice.

# CODING

Please use the standard coding below when advising your design requirement.



Example - BS5 / P / 03 / SM / S

Other voltages are available on request.

Fixing, plunger coupling, thrust rods and lead length can all be customised.

All solenoids come with flying leads as standard, should you require spade connectors please contact our sales team.

*We reserve the right to alter or amend designs without prior notice.*

**ELEKTROKOMponenter AB**

Karljohansvagen 75, 725 91 Vasteras Sweden

☎0763173897 ✉ info@elektrokomponenter.se 🌐 www.elektrokomponenter.se