

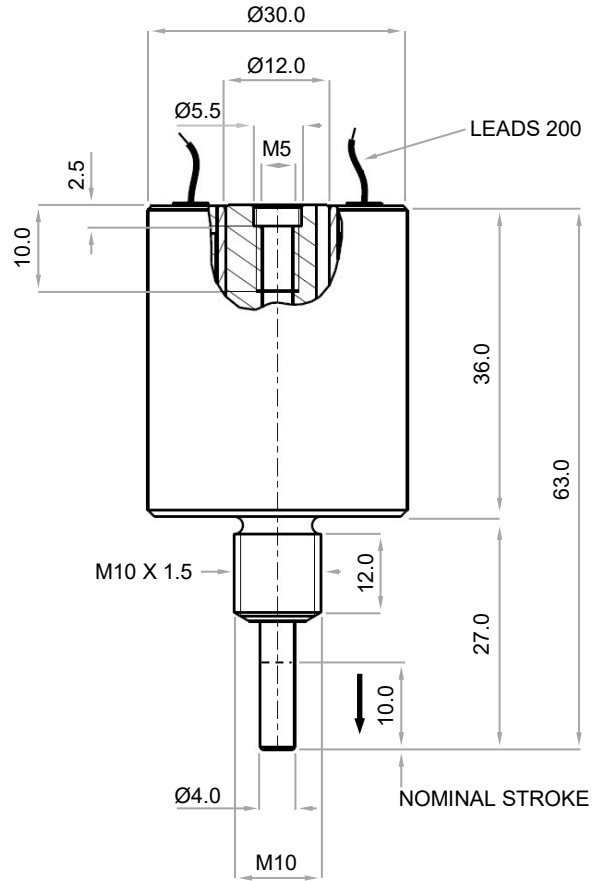


**CLP10
INDUSTRIAL SOLENOID
8.10.BA.83**

Availability
For DC only.
Nominal Stroke -10mm (NS)
Pull or Push
Standard Voltage 24V DC
Possible Voltage 12 - 220v DC
IP40

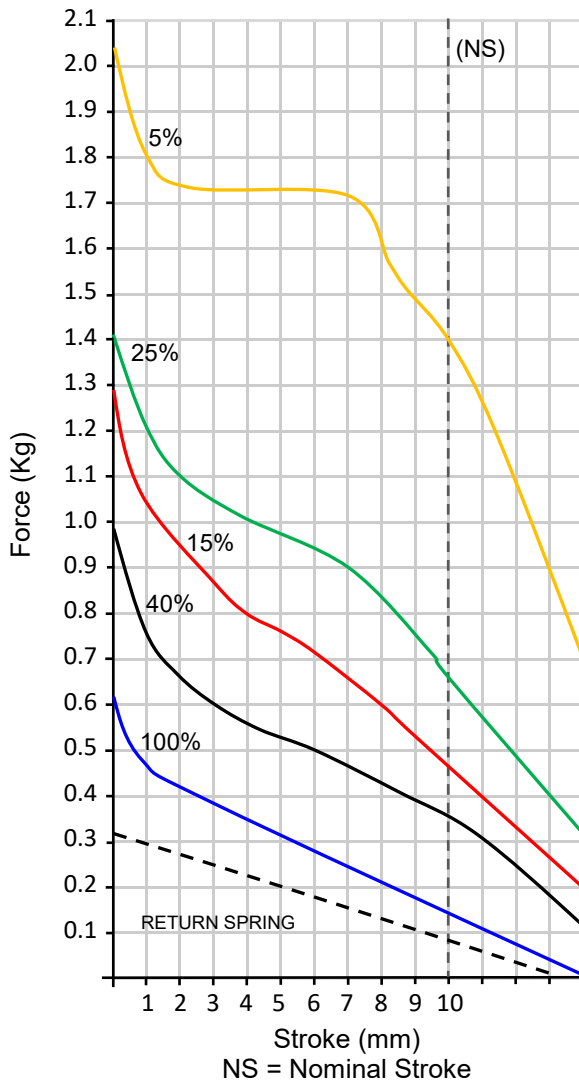
Solenoid shown in energised position

Weight complete 200g
Plunger weight 30g



DIMENSIONS IN MM

Forces shown are at working temperature
Cold forces are higher



- DC Watts**
- 100% Rtg = 8.5W
 - 40% Rtg = 18W
 - 25% Rtg = 26W
 - 15% Rtg = 40W
 - 5% Rtg = 110W

We reserve the right to alter or amend designs without prior notice.

HE & BS Benson Ltd

1 Laureate Industrial Estate, Exning Road, Newmarket, Suffolk UK CB8 0AR

+44(0)1638 663535 — 663130 ✉ sales@bensonsolenoids.co.uk 🌐 www.bensonsolenoids.co.uk